

MY21 CONQUEROR OFF-GRID UEV-17



l x w x h 5900 x 2050 x 2300

TARE WEIGHT (KG):

ATM:

	UEV-17	UEV-17 SAHARA
PRICE	95,990	117,500
	\$	\$
	1450-1650	
	2250	

CHASSIS & SUSPENSION

Fully galvanized box section chassis and "A" Frame.		✓	✓
Independent trailing arm suspension with Twin Fox Racing off-road performance shocks, with rolling sleeve airbags		✓	✓
FOX OEM 2.0 SMOOTH BODY RESERVOIR SHOCKS		✓	○
FOX OEM 2.0 SMOOTH BODY RESERVOIR ADJUSTABLE SHOCKS (upgrade)	\$ 2,100.00	○	✓
Full Rolling Sleeve Airbags with onboard Compressor and contolls		✓	✓
Upgrade Airbag suspension (wireless Bluetooth App control) <i>From Manual Control</i>	\$ 2,200.00	○	○
12 inch Disc brakes (Electric/hydraulic) including hydraulic handbrake		✓	✓
12 inch marinized stainless steel ventilated disc brakes inc stainless calliper & ceramic baked disc pads (electric over hvdraulic) <i>UPGRADE FROM STANDARD 12 INCH DISCS</i>	\$ 1,800.00	○	○
Witi Security System		✓	✓
Witi wireless braking system with integrated security system	\$ 699.00	○	○
Gps Tracking (needs Witi)	\$ 300.00	○	✓
WITI Brake controller including off road down hill assist for trailer unit (Fitting in customers vehicle extra)	\$ 300.00	○	○
285/75/16 BFG KO2s on Heavy Duty Alloy Rims		✓	✓
Spare wheel carrier serving as emergency stub axle.		✓	✓
Front & rear adjustable stabilisers.		✓	✓

CANVAS & AWNINGS

270* Awning to kitchen side		✓	✓
270* Wall kit for Awn including dratt skirt	\$ 3,500.00	○	✓
Midge Mesh to all windows and doors		✓	✓
Ground Sheets x2	\$ 250.00	○	✓

– Not Available

○ Optional

✓ Included

Price anSpec Subject to change without notice

PRICE

UEV-17

UEV-17 SARAHA

ELECTRICAL SYSTEM

200ah Victron Lithium Battery		✓	✓
Additional 200ah Victron Lithium Battery	\$ 3,900	○	✓
Victron Multiplus 800va Phoenix Inverter		✓	—
Victron Multiplus 1200va Phoenix Inverter	\$ 1,100	○	○
Victron MultiPlus 1600va/70amp inverter/charger (Each Max 2)	\$ 2,400	○	✓
350w roof mounted solar. (With Additional Victron Smart Solar Mppt)		✓	—
700W SunPower roof mounted solar (With Additional Victron Smart Solar Mppt) UPGRADE FROM 400W	\$ 2,500	○	✓
2 usb charging points		✓	✓
240v GPO including 2 built-in usb charging points		✓	✓
External LED lights on both sides (dual colour white/orange)		✓	✓
Victron Bmv-712 Bluetooth smart Battery Monitor (Must have with all inverters)		✓	✓

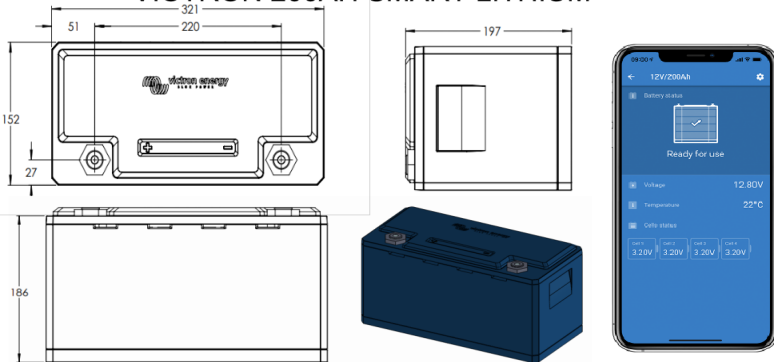
COMFORT & ENTERTAINMENT

Air Conditioning 12V DC System, recommend 400ah Lithium & Invertercharger upgrade	\$ 5,400	○	✓
Gas Hot water		✓	—
Eberspacher HS3 is the latest in Diesel hotwater and cabin heating technology combined with the new variable air heater with thermostaic control	\$ 7,020	○	✓
Hi Def TV with swivel bracket		✓	✓
Stereo with Bluetooth and 4 Internal Speakers		✓	✓
Autosat Automatic Satellite TV	\$ 6,000	○	○
CeFi Go Mobile Phone Booster	\$ 2,500	○	○
Sahara Premium Mattresses	\$ 1,500	○	✓
Conqueror Branded Fitted Bedding Set		✓	✓

KITCHEN & COOKING

Conveniently laid-out retractable kitchen drawer with dedicated fridge storage outside plus an internal kitchen		✓	✓
90Lt National Luna Single lid Dual Zone Fridge Freezer (Upgrade from Snomaster)	\$ 1,100	—	✓
82.5Lt Snomaster Dual lid Dual Zone Fridge Freezer		✓	✓
Cutlery & Crockery supplied in custom fitted draws		✓	✓
Single Burner Induction Cooktop	\$ 350	○	○
Upgrade Cooker to 2 Burner Induction Cooktop (upgrade from gas cooktop)	\$ 3,000	○	○
Upgrade Cooker to 2 Burner Diesel Cooktop (upgrade from gas cooktop)	\$ 3,500	○	○
Microwave Oven fitted to outdoor kitchen		✓	✓

VICTRON 200AH SMART LITHIUM



— Not Available

○ Optional

✓ Included

	PRICE	UEV-17	UEV-17 SARAHA
PLUMBING			
Low centre of gravity 220 litre water tanks		✓	✓
Auto shut-off water pump		✓	✓
Integrated plumbing for Kitchen and both Internal & External Bathrooms		✓	✓
HOT WATER OPTIONS LISTED ABOVE IN COMFORT AND ENTERTAINMENT			
STORAGE & ACCESSORIES			
Large nosecone with dedicated axe and spade mountings		✓	✓
2X 20L Diesel Gerry Cans		✓	✓
Storage boxes underfloor in front of axles		✓	✓
Multiple internal cupboards & shelves		✓	✓
Axe fitted to Front nose Cone		✓	✓
Spade Fitted on nose cone		✓	✓
Rear Storage rack		✓	✓
Large grocery cupboard		✓	✓
Dedicated bottle storage		✓	✓
Dust Limiting cabin pressure fan		✓	✓
BBQ Grill <i>Fitted to Spare Wheel</i>		✓	✓
Keyed alike padlock set		✓	✓
SHOWER/TOILET			
Externally located on the RHS with integrated drop down shower cubicle fully plumbed hot water.		✓	✓
CONSTRUCTION AND WARRANTY			
5 YEAR WARRANTY & AUSTRALIA WIDE ROAD SIDE ASSISTANCE PACKAGE T,s & C,s Apply		✓	✓
Fully independent patented suspension with Full Rolling Sleeve OEM Airbags and onboard compressor and full controls, trailing arms and torsion bar for improved handling (SAHARA HAS FOX 2.0 ADJUSTABLE REMOTE RES SHOCKS AS STANDARD)		✓	✓
World Renowned Fox Racing Shocks used in all Models		✓	✓
Specially designed spare wheel carrier which doubles as an emergency stub axle		✓	✓
Hot dipped galvanised Boxed A-Frame and Chassis		✓	✓
The Conqueror UEV-17 is manufactured using a combination of aluminium and Composite materials creating an extremely light weight yet extremely strong Van		✓	✓
All parts are epoxy coated or better known as powder coated and is more resistant against scratches, chipping, wear and fade compared to other finishes		✓	✓
Components are of a modular design allowing for easy panel replacements in case of accident damage		✓	✓
No wood, fibreglass or other degradable materials are used		✓	✓
Only stainless-steel bolts & nuts are used during assembly		✓	✓
All door apertures are sealed using motor industry grade door seals		✓	✓
Structural components are designed and manufactured for maximum strength with minimal weight.		✓	✓
Our unique design and assembly techniques borrowed from the aeronautical industry, significantly reduces metal fatigue and improves body flex resulting in a more durable and longer lasting camper		✓	✓

– Not Available

○ Optional

✓ Included