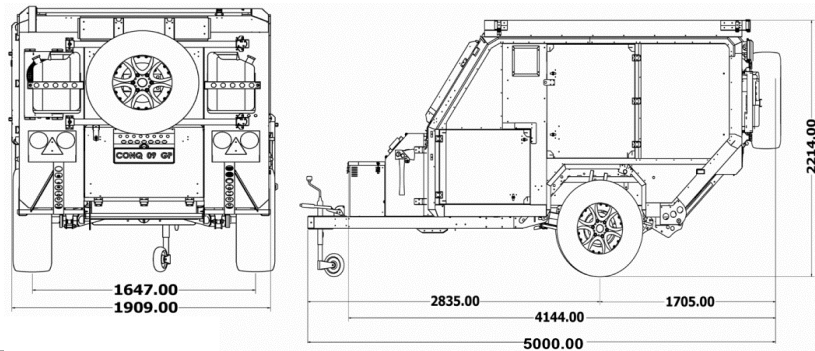


MY21 CONQUEROR OFF-GRID UEV-440



	UEV-440	UEV-440 SAHARA
PRICE	\$ 87,990	\$ 109,990
TARE WEIGHT (KG):	1450-1650 Kg	
ATM:	2250 Kg	

CHASSIS & SUSPENSION

Fully galvanized box section chassis and "A" Frame.		✓	✓
Independent trailing arm suspension with off-road performance shocks, and rolling sleeve airbags		✓	✓
OEM 2.0 SMOOTH BODY SHOCKS		✓	○
OEM 2.5 REMOTE RESIVOIR SHOCKS	\$ 1,200	○	✓
Airbag suspension with onboard Compressor (manual Control)		✓	✓
Upgrade Airbag controls to wireless App Controled <i>From Manual Control</i>	\$ 2,200	○	○
12 inch Disc brakes (Electric/hydraulic) including hydraulic handbrake		✓	✓
Witi wireless braking system with integrated security system	\$ 699	○	○
Gps Tracking (needs Witi)	\$ 300	○	○
WITI Brake controller including off road down hill assist for trailer unit (<i>Fittine extra</i>)		○	○
Witi Security System		✓	✓
285/75/16's on Heavy Duty Alloy Rims		✓	✓
Spare wheel carrier serving as emergency stub axle.		✓	✓
DO35 off-road hitch.		✓	✓
Front & rear adjustable stabilisers.		✓	✓

CANVAS & AWNINGS

270* Awning to kitchen side		✓	✓
270* Wall kit including draft skirt	\$ 3,500	○	✓
Tropical Fly over front & Side Beds		✓	✓
Midge Mesh to all windows and doors		✓	✓

– Not Available

○ Optional

✓ Included

Specs and pricing subject to change without notice